

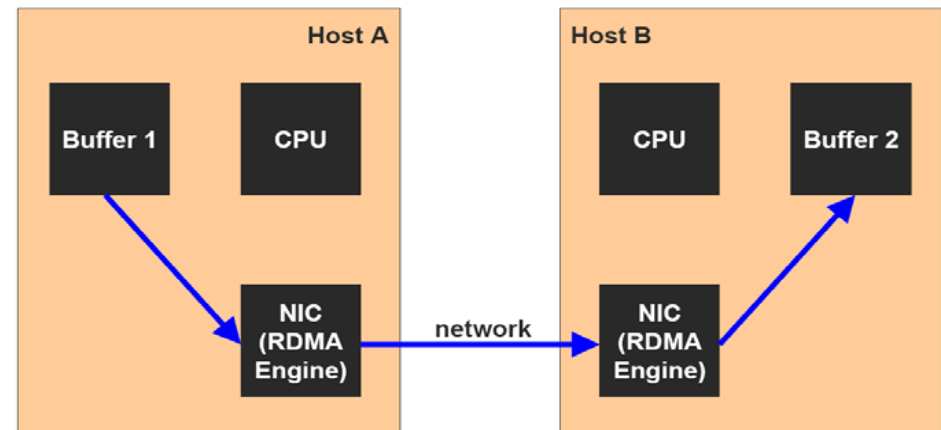
# DAPL testing

CERN openlab II quarterly review  
20 September 2006

Ryszard Jurga



- DAPL
  - Direct Access Programming Library – API that exploits the capabilities of Remote Direct Memory Access (RDMA)
- Origin
  - An increase of a network speed
  - CPU bottleneck
    - memory to memory copying (3x,4x memory bandwidth requirements)
    - kernel context switching
- TCP/IP Offload Engine (TOE)
  - data is still copied
- RDMA
  - no copying of data
  - kernel bypass
  - WR/RD mode
- OpenFabrics Alliance
  - OpenFabrics/Infiniband Workshop at CERN, 26th June 2006





- Sockets Direct Protocol (SDP) and SDP Library

- compatible sockets interface with Berkeley Socket

- ~50% bandwidth gain (SDP vs. IPoIB)

- User verbs

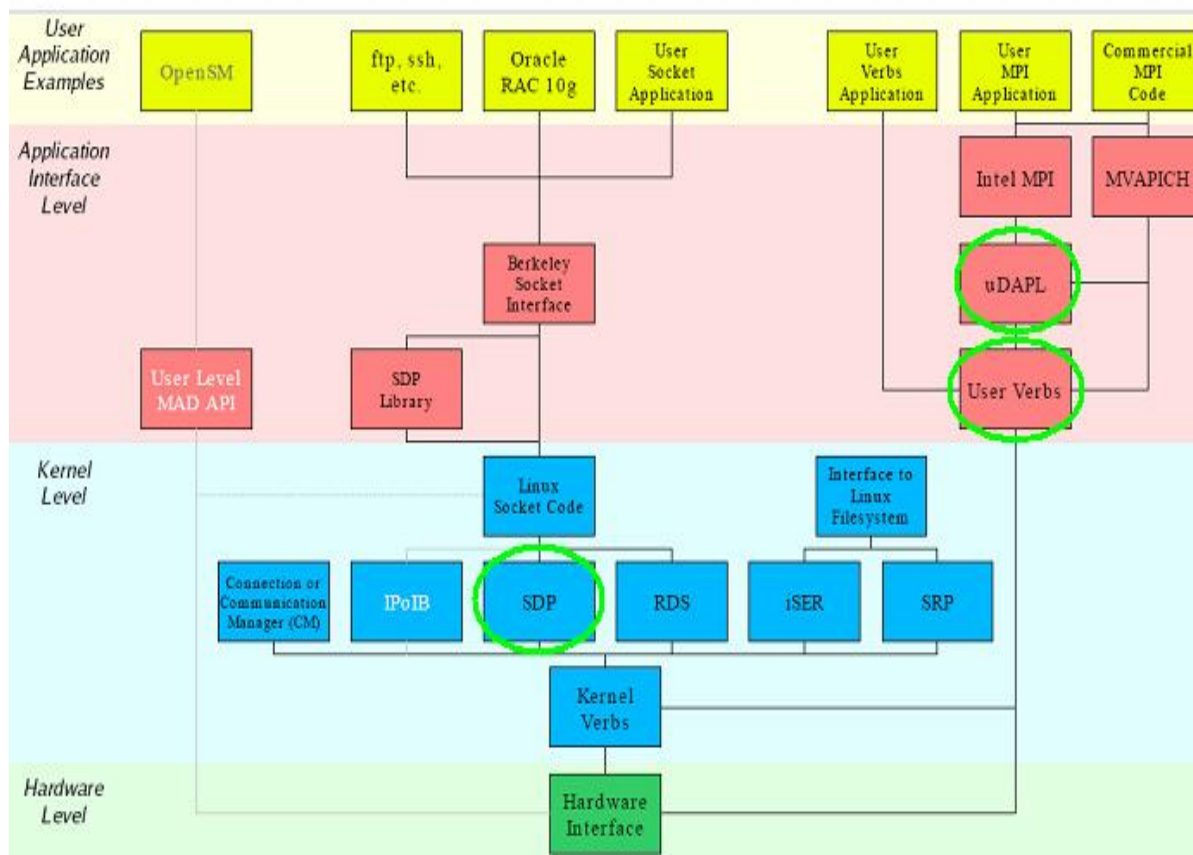
- Direct access to Hardware Interface, used directly by user applications

- uDAPL

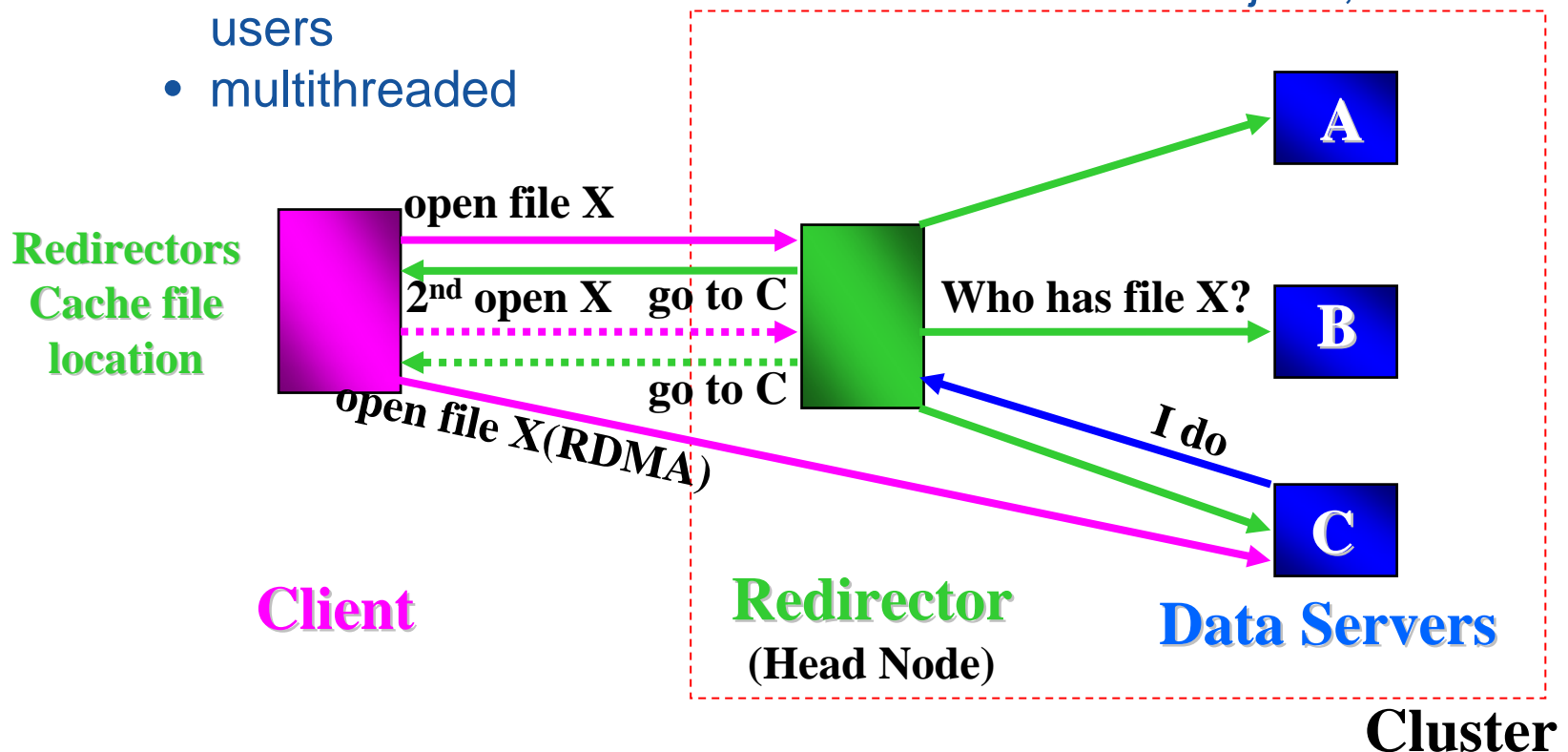
- Interface between user applications and user verbs

- dapltest

## Linux OpenFabrics Stack



- xrootd introduction
  - toolkit for file base data access
  - thousands of thousands files scattered among multiple servers
  - thousands of concurrent accesses from batch jobs, end users
  - multithreaded





- Installation of the openib stack on 4 machines
- Initial tests with libsdp, daplttest
- **point-to-point transport prototype for sending files, RDMA Read and Write, Send/Recv type of transmission, DAPL**
- brainstorming with Andy Hanushevsky
- xrootd installation and study (Martin Swany, University of Delaware)



- DAPL/RDMA
  - one port/many connections?
  - user verbs
  - measurements by means of the prototype
- xrootd
  - exchanging parameters about a new connection between a client and a server
  - Server side: maintaining a list of available network resources (free ports, remote buffers, etc.), life cycle
  - implementation of RDMA connection on the basis of our prototype
  - measurements